

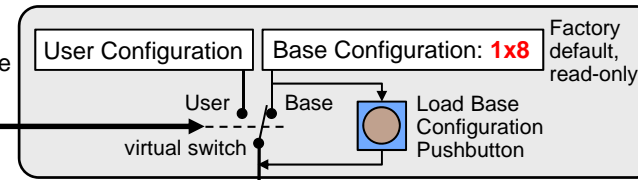
Keysight M9018A PXIe Chassis

START HERE
Please place your mouse over this rounded rectangle to view information about this diagram.

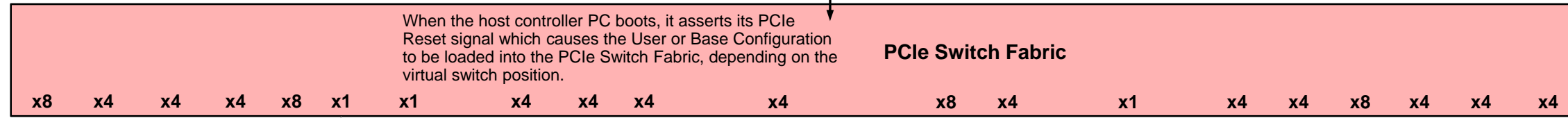
Show PCIe Link Configurations

- Clear
- Factory default 1x8
- 2x8
- 4x4

PCIe Switch Fabric Configurator
This program can be used to set the User Configuration to 2x8 or 4x4 (and point the virtual switch to the User Configuration), or point the switch to the Base Configuration.

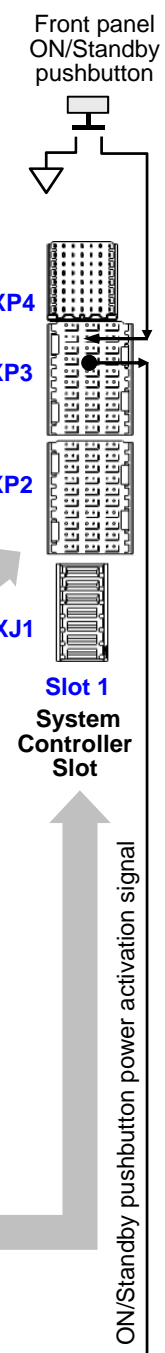
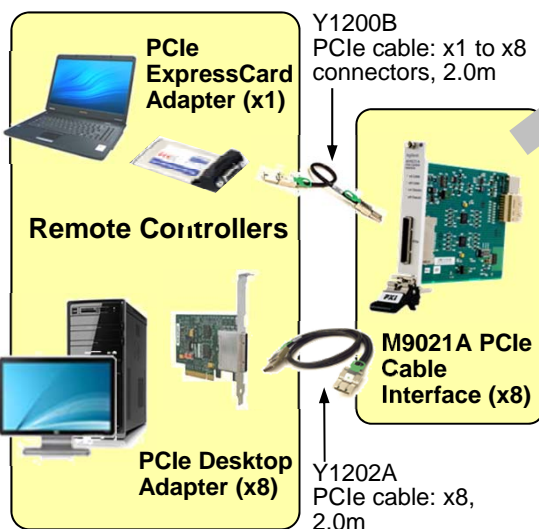


Eight backplane temperature sensors



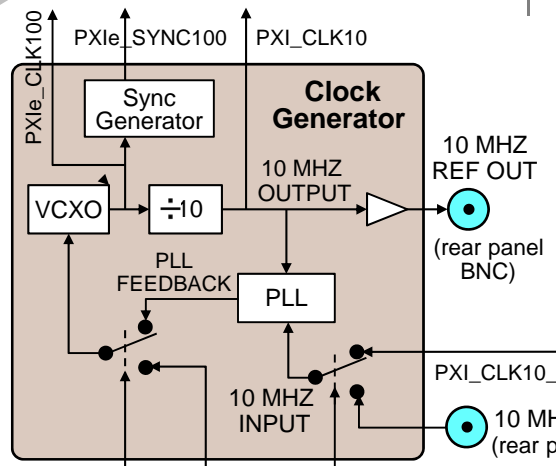
Show Host Controller Software

- Clear
- Keysight Connection Expert
- Soft Front Panel
- Development environments



Show SDBus

- Clear
- PXI_CLK10
- PXIe_CLK100
- PXIe_SYNC100

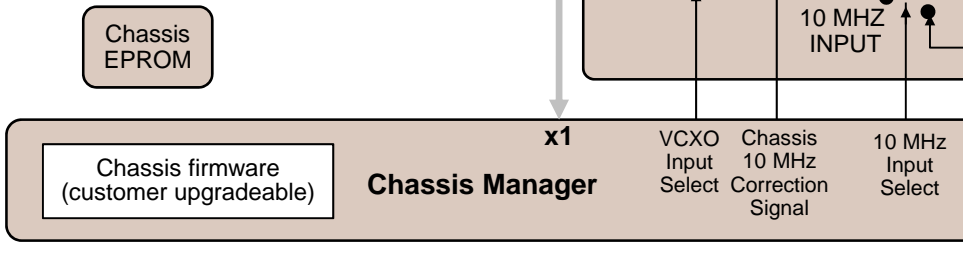


Show Triggers

- Clear
- PXI_TRIG[0:7]
- PXI_STAR[0:16]
- PXIe_DSTAR A/B/C[0:16]

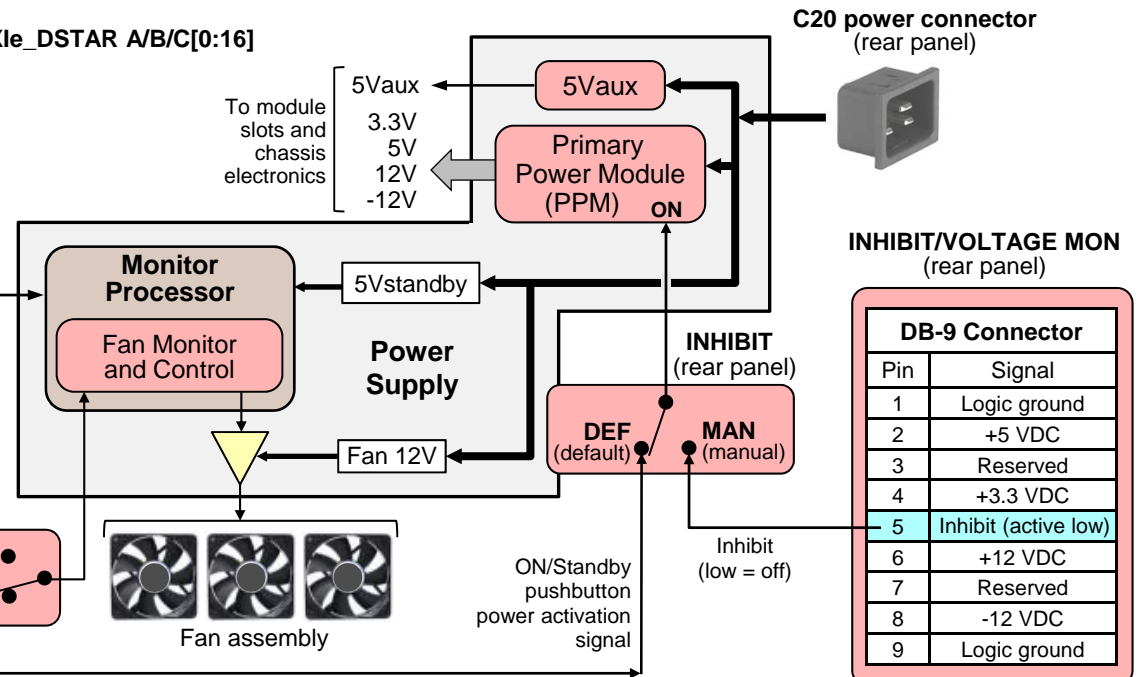
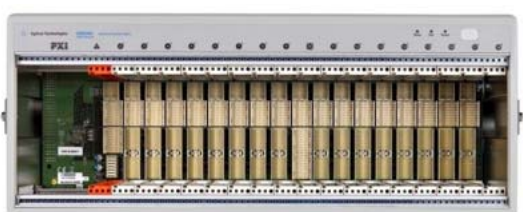
Show Boards Supported by the Hybrid Slots

Show Hybrid Slot Pin Outs



Show Chassis Views

- Clear
- Front View
- Rear View



Pin	Signal
1	Logic ground
2	+5 VDC
3	Reserved
4	+3.3 VDC
5	Inhibit (active low)
6	+12 VDC
7	Reserved
8	-12 VDC
9	Logic ground

